



Open Frame PCAP 10 point touch screen equipped with touch through glass function

The ProLite TF2415MC-B2 (23.8 inch) uses PCAP touch technology and is built into an eye-catching bezel with edge-to-edge glass. Thanks to a glass overlay covering the screen and a rugged bezel, it guarantees high durability and scratch-resistance, making it perfect for kiosk and high use public facing applications. Equipped with a foam seal finish it supports seamless integration into kiosks and provides IP65 rating resulting in dust and water resistance from the front. Landscape, portrait and face-up orientation ensures flexible mounting possibilities in almost any installation. For ease of integration, the TF2415MC-B2 can be equipped with optional external mounting brackets ([OMK2-1](#)) making it an ideal solution for kiosk integrators, industrial environments, control rooms and interactive multimedia.



Touch through-glass

This through glass touch screen works right through glass and can turn glass surfaces into an interactive touch screen display. Use it on storefront windows, real estate office, in-store for POS or restaurants.



Foam Seal

A foam seal finish (8mm) around the monitor ensures seamless integration and optimal dust protection.

01 DISPLAY CHARACTERISTICS

| | |
|-------------------------|---|
| Design | Open Frame |
| Diagonal | 23.8", 60.5cm |
| Panel | VA LED |
| Native resolution | 1920 x 1080 (2.1 megapixel Full HD) |
| Aspect ratio | 16:9 |
| Panel brightness | 350 cd/m ² |
| Brightness | 315 cd/m ² with touch |
| Light transmittance | 90% |
| Static contrast | 3000:1 |
| Response time (BTB) | 16ms |
| Viewing zone | horizontal/vertical: 178°/178°, right/left: 89°/89°, up/down: 89°/89° |
| Horizontal Sync | 31.4 - 82kHz |
| Viewable area W x H | 527.04 x 296.46mm, 20.7 x 11.7" |
| Pixel pitch | 0.2745mm |
| Bezel colour and finish | black |

02 TOUCH

| | |
|-----------------------------|---|
| Touch technology | projective capacitive |
| Touch points | 10 (HID, only with supported OS) |
| Touch method | stylus, finger, glove (latex) |
| Touch interface | USB |
| Supported operating systems | All iiyama monitors are Plug & Play and compatible with Windows and Linux. For details regarding the supported OS for the touch models, please refer to the driver instruction file available in the downloads section. |
| Through-Glass | 6mm |

03 INTERFACES / CONNECTORS / CONTROLS

| | |
|----------------------|---------------------------|
| Analog signal input | VGA x1 |
| Digital signal input | HDMI x1 DisplayPort x1 |
| Audio output | Mini jack x1 |
| HDCP | yes |

04 FEATURES

| | |
|---------------------------|---|
| Extra | anti-fingerprint coating, touch through-glass |
| Glass hardness | 7H |
| 60950 Ball drop test | yes |
| Water and dust protection | IP65 (front) |
| Water tight seal | yes |
| OSD key lock | yes |

05 GENERAL

| | |
|-----------------|---|
| OSD languages | EN, DE, FR, ES, IT, CN, JP |
| Control buttons | Menu, Scroll up/ Brightness, Scroll down/ Contrast, Select, Power |

| | |
|---------------|---|
| User controls | picture (contrast, brightness, H. position, V. position, phase, clock, auto adjust), advanced (color temp., sharpness), OSD (timeout, position, H. position, V. position, touch switch), option (reset, language, source select, display mode, factory) |
|---------------|---|

| | |
|-----------|-------|
| Plug&Play | DDC2B |
|-----------|-------|

06 MECHANICAL

| | |
|-------------|------------------------------|
| Orientation | landscape, portrait, face-up |
|-------------|------------------------------|

| | |
|---------------|-------------|
| VESA mounting | 100 x 100mm |
|---------------|-------------|

| | |
|-----------------------------|------------|
| Operation temperature range | 0°C - 40°C |
|-----------------------------|------------|

| | |
|---------------------------|---------------|
| Storage temperature range | - 20°C - 60°C |
|---------------------------|---------------|

07 ACCESSORIES INCLUDED

| | |
|--------|----------------------|
| Cables | power, USB, HDMI, DP |
|--------|----------------------|

| | |
|--------|---------------------------------|
| Guides | quick start guide, safety guide |
|--------|---------------------------------|

| | |
|-------|--|
| Other | AC adapter, Touch Panel Driver Disk (CD-ROM), external control pad |
|-------|--|

08 POWER MANAGEMENT

| | |
|-------------------|----------|
| Power supply unit | external |
|-------------------|----------|

| | |
|--------------|---------|
| Power supply | DC 12 V |
|--------------|---------|

| | |
|-------------|---|
| Power usage | 24.4W typical, 1.06W stand by, 0.32W off mode |
|-------------|---|

09 SUSTAINABILITY

| | |
|-------------|---|
| Regulations | CB, CE, TÜV-Bauart, RoHS support, ErP, WEEE, CU, cULus, REACH |
|-------------|---|

| | |
|---|---|
| Energy efficiency class (Regulation (EU) 2017/1369) | F |
|---|---|

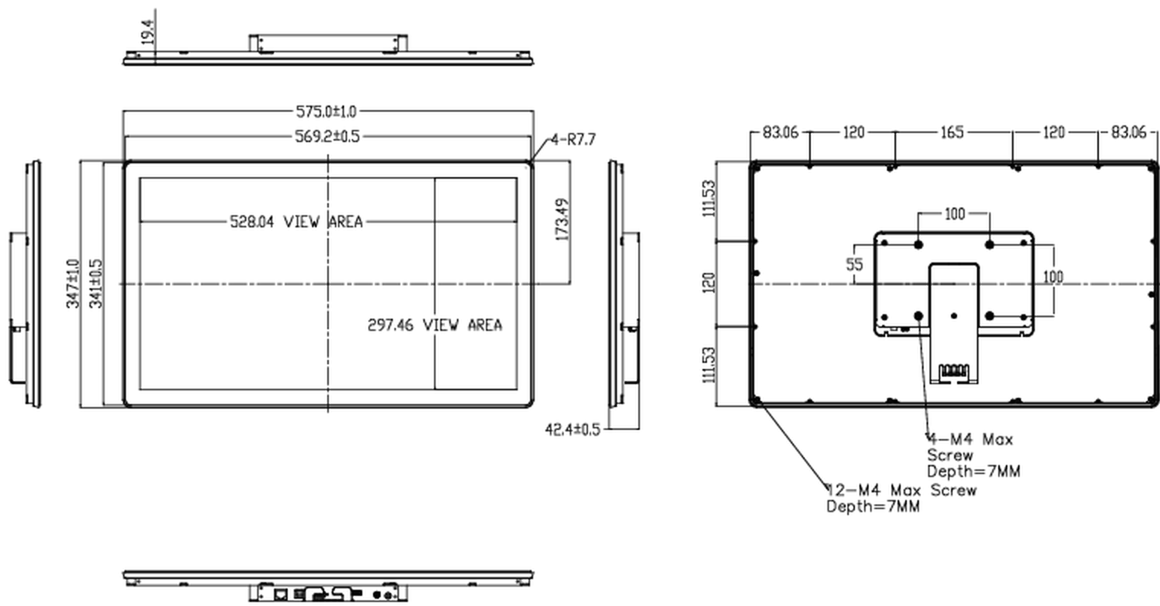
| | |
|------------|------------------|
| REACH SVHC | above 0.1%: Lead |
|------------|------------------|

10 DIMENSIONS / WEIGHT

| | |
|------------------------------|--------------------|
| Product dimensions W x H x D | 575 x 347 x 42.5mm |
|------------------------------|--------------------|

| | |
|----------------------|-------|
| Weight (without box) | 5.8kg |
|----------------------|-------|

| | |
|----------|---------------|
| EAN code | 4948570116775 |
|----------|---------------|



All trademarks and registered trademarks acknowledged. E & O E. Specification subject to change without notice. All LCD's comply with ISO-9241-307:2008 in connection with pixel defects.

© IYAMA CORPORATION. ALL RIGHTS RESERVED